

VPD 125

DISC VALVE WITH A DECORATIVE PANEL

Features

- Modification made of antistatic plastic.
- Wall or ceiling mounting.
- Aerodynamic shape.
- Easy installation and maintenance.
- For supply and exhaust ventilation.
- Replacement filter FTP 125x3 Coarse 50% as an option.



Panels



VPD 125 R



VPD 125 R Black



VPD 125 C

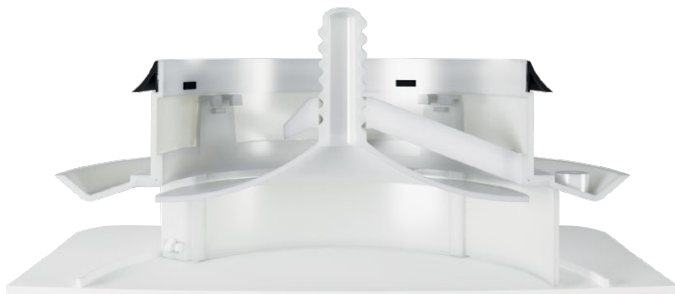


VPD 125 C Black

Design

- Smooth air flow regulation by rotating the central part.

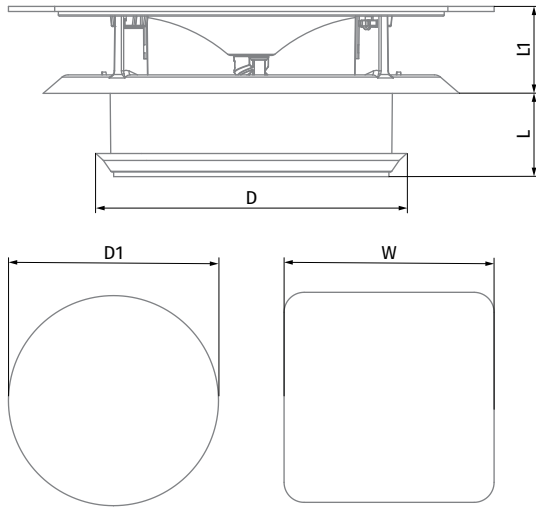
- Air flow adjustment.
- Restricting air flow in the required direction.



VPD 125

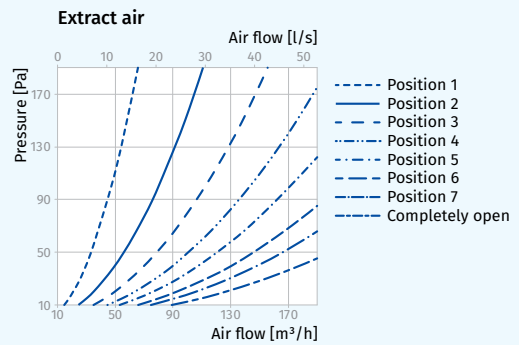
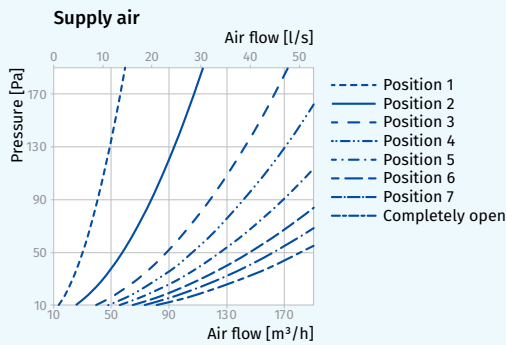
DISC VALVE WITH A DECORATIVE PANEL

Dimensions



Model	Dimensions [mm]				
	Ø D	Ø D1	L	L1	W
VPD 125 R	125	210	36	39	-
VPD 125 C	125	-	36	39	210

Aerodynamic data



	Equivalent cross-section [mm²]							
	Position 1	Position 2	Position 3	Position 4	Position 5	Position 6	Position 7	Completely open
Supply air	1517	2784	4338	5274	6231	7185	8099	9004
Extract air	1628	2728	3903	4969	5930	7360	8369	9974

	K-factor							
	Position 1	Position 2	Position 3	Position 4	Position 5	Position 6	Position 7	Completely open
Supply air	4.4	8.3	12.6	15.0	18.0	21.1	23.4	26.0
Extract air	4.8	8.1	11.4	14.5	17.4	20.6	23.2	28.2