



Installation instruction

VPD

Disc valve with a decorative panel

PURPOSE

Ceiling-mounted and wall-mounted disk valves for supply and exhaust ventilation systems are designed to provide air flow adjustment and control its direction in the room.

DELIVERY SET

Disc valve – 1 pc.; installation instruction - 1 pc.; packing box – 1 pc.

DESIGNATION KEY

VPD 125 R

Decorative panel shape

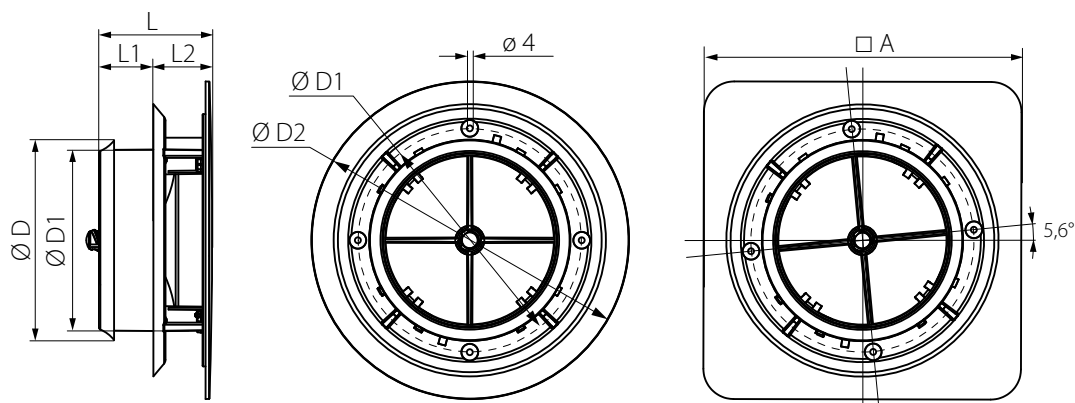
R – round

C – square with rounded corners

Flange diameter [mm]

Disc valve with a decorative panel

DIMENSIONS [mm]



	D	D1	D2	D3	A	L	L1	L2
VPD 125	125	120	210	148	210	74	36	38,8

If the disc valve VPD is equipped with a sealed flange, it is connected to the Ø D air duct; if the flange is not sealed, it is connected to Ø D1 air duct.



INSTALLATION

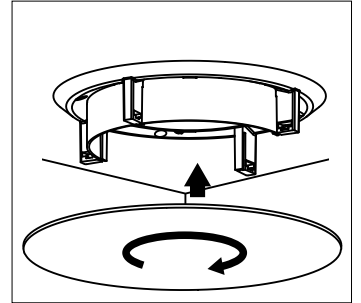
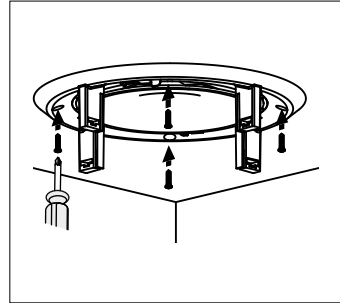
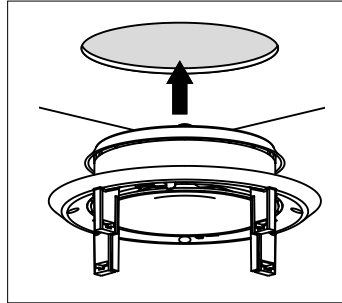
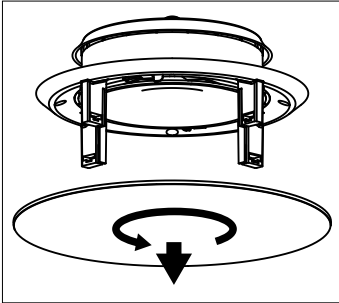
Installation sequence for disk valve with a round decorative panel

1. Remove the decorative panel from the casing by turning it counter clockwise, detaching locks from the panel.

2. Insert the casing into the air duct.

3. Secure the casing onto the ceiling with screws (not included in the delivery set).

4. Set up the disc valve (see the setup section). Install the decorative panel by turning it clockwise until it clicks into place.

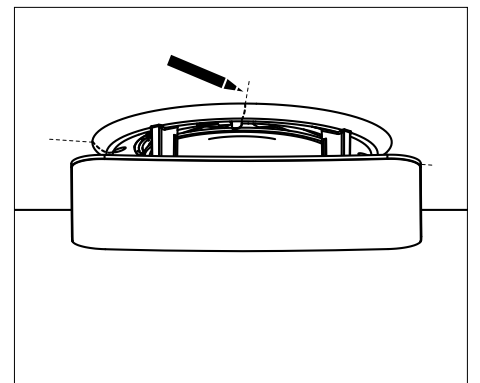
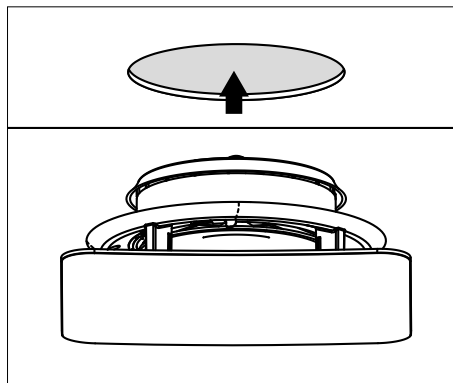
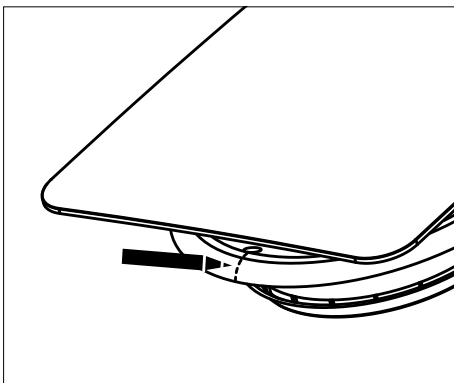


Installation sequence for disk valve with a square decorative panel

1. Before installing, mark the mounting holes on the casing.

2. Place the disk valve in the air duct without removing the decorative panel, and align the panel's relative position to the room's walls or corners.

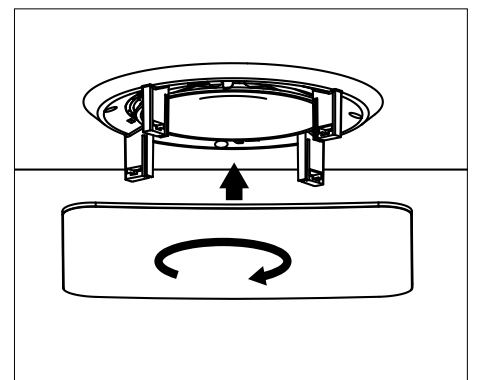
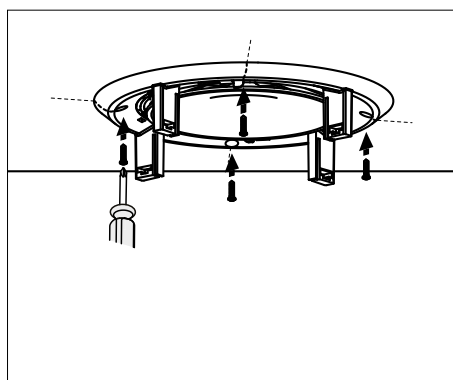
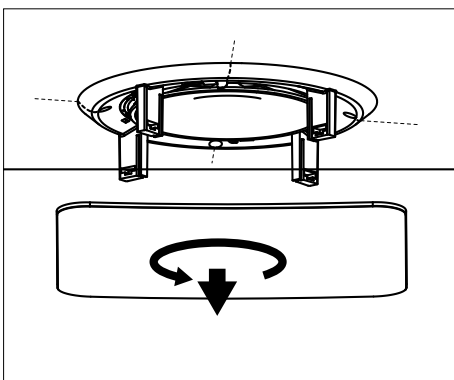
3. Mark the ceiling opposite to that on the casing.



4. Remove the disc valve and decorative panel from it.

5. Install the disc valve in the air duct so that the marks on the casing match those on the ceiling. Secure the disc valve to the ceiling with screws (not included in the delivery set).

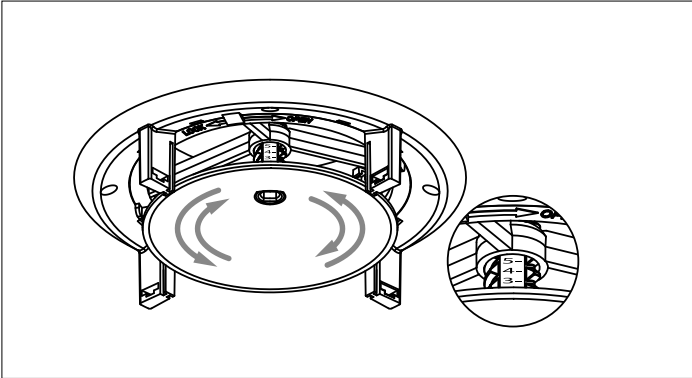
6. Set up the disc valve (see the setup section). Install the decorative panel by turning it clockwise until it clicks into place.



SETUP AND MAINTENANCE

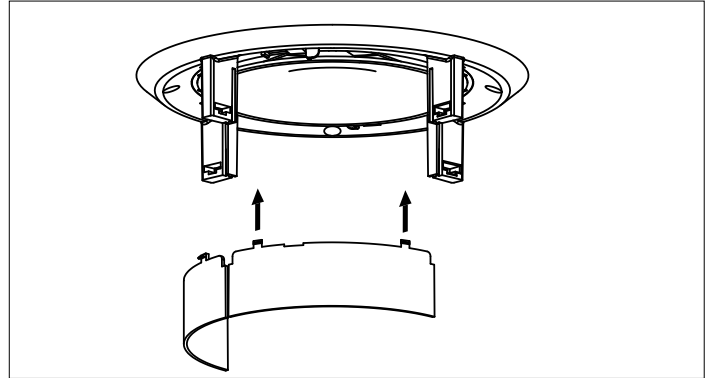
Air flow adjustment

To adjust air flow, turn the disc clockwise or counter clockwise. The disk's axis has numbers marked on it designed to set up the disk valve based on the pressure-to-air flow characteristics specified in the catalogue.



Adjusting air flow direction.

Insert air flow restricters if necessary.



Opening the disk valve

In order to open the disc valve without changing its settings to clean the air duct, set off the holder by turning it clockwise towards **OPEN** until it clicks open. Remove the holder and the disk from the disk valve without changing the position of the mark on the disk's axis.

To lock the disk valve, insert the holder and the disk into it. Set off the holder by turning it counter clockwise towards **LOCK**.

Installing a filter.

Secure the filter (not included in the delivery set) on the brackets of the holder of the disk valve.

